



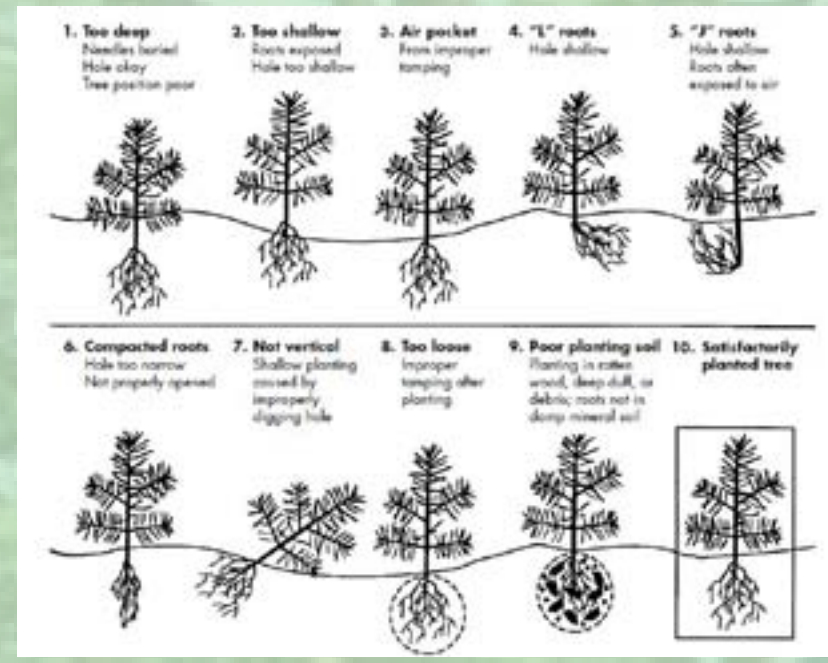
# Chestnut Planter

Ensuring the successful plantation of Forestry

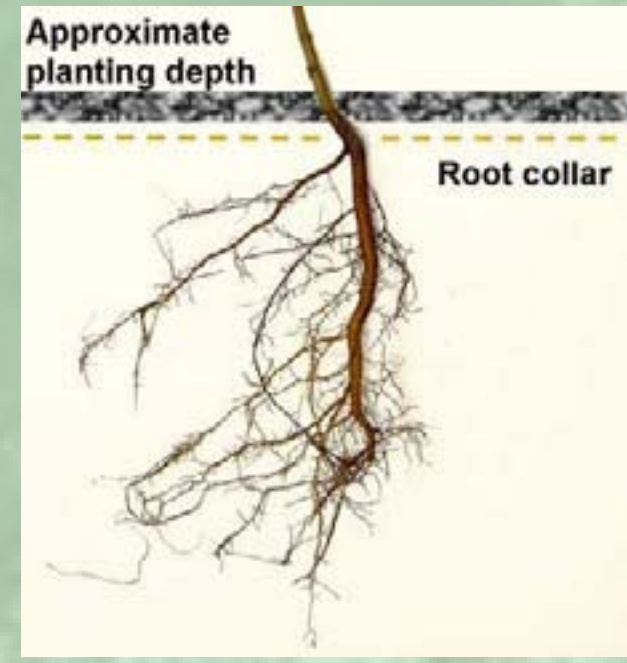
## Issues around Planting Forestry.



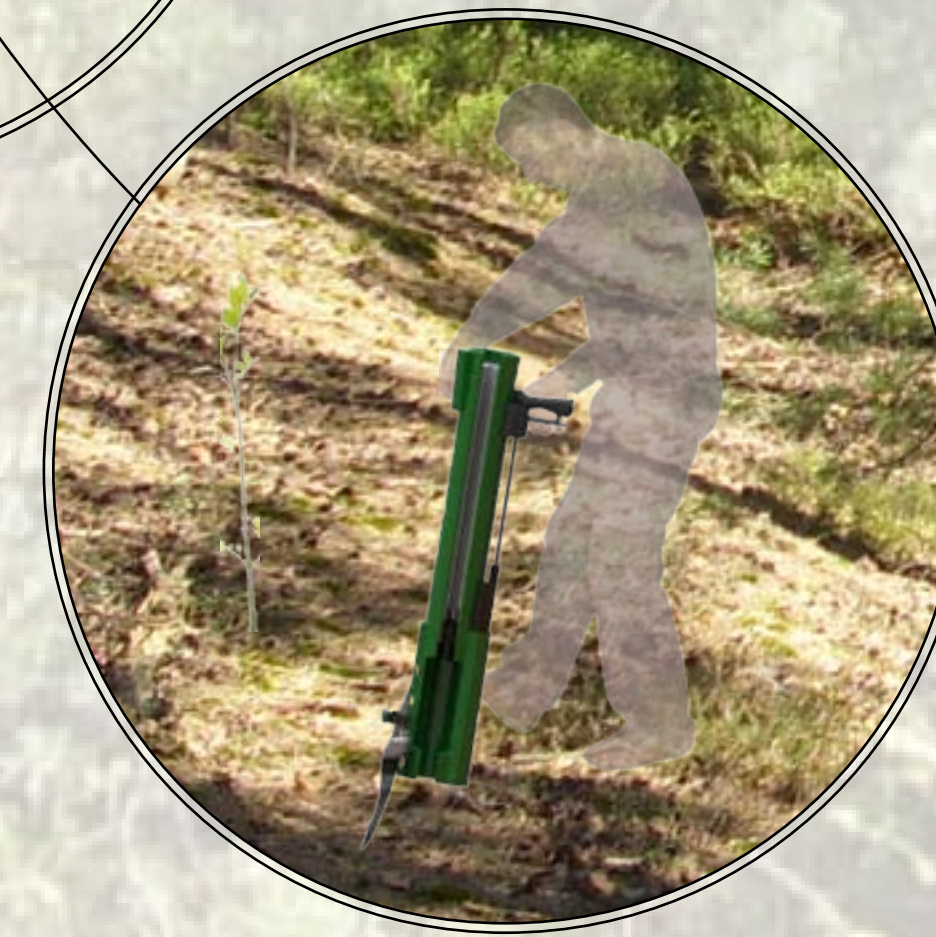
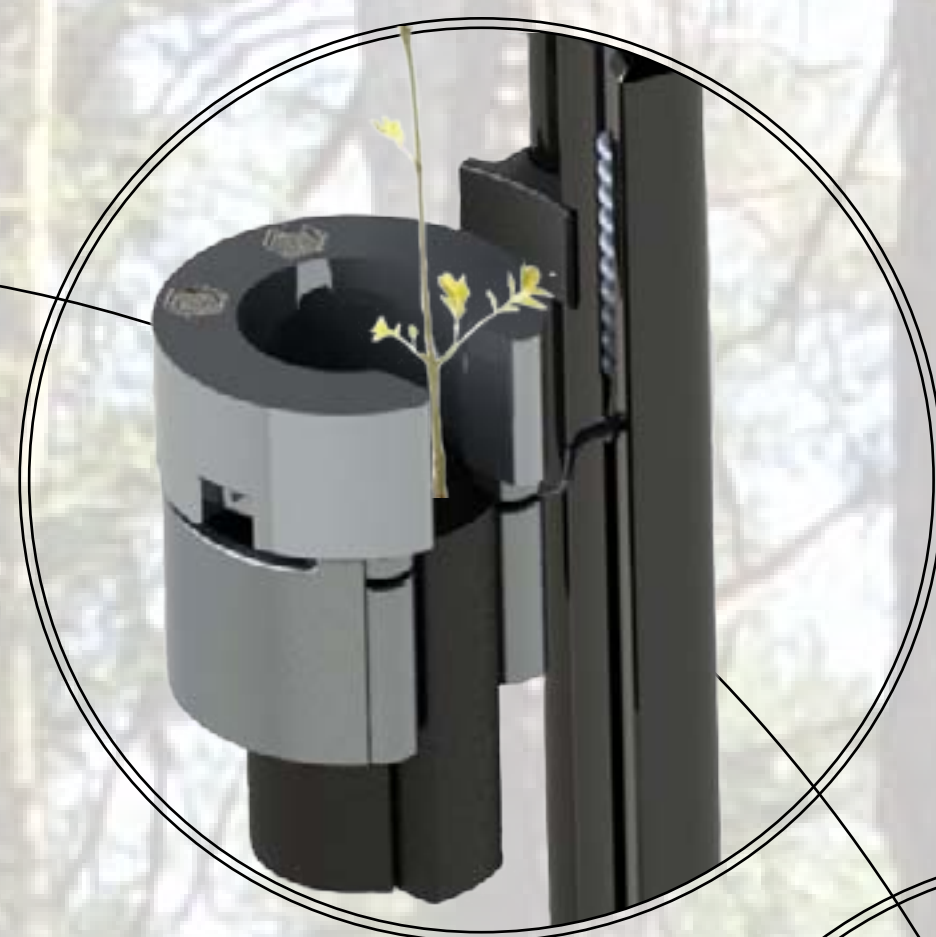
Bending Down while Planting.



Incorrectly Planting Saplings.



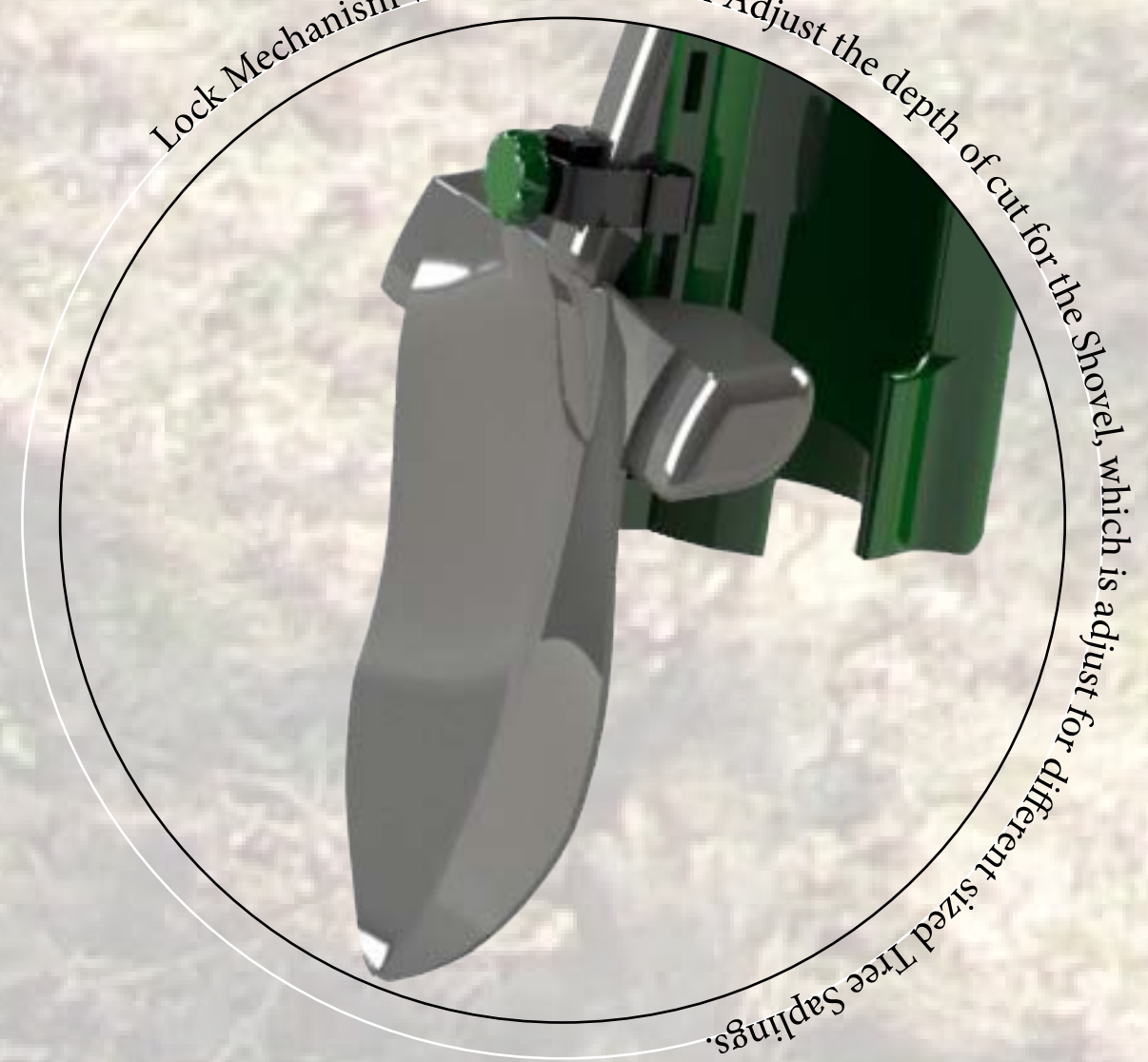
Little Knowledge about Planting.



Ergonomic Handle to Catch, Release and Press the Tree Sapling in to the Soil.



The Catch Mechanism opens up and the sapling root is caught just over the Root Collar of the Tree Sapling.



Lock Mechanism when Released can Adjust the depth of cut for the shovel which is adjust for different sized Tree Saplings.



The Shovel is designed for easy access when digging back the Soil. Once the Shovel Dig to the required depth, move mechanism forward, and plant the tree sapling. Only requires one movement.

## How it Works.

### 1. Setting Depth Control of Shovel

Loosen the lock shovel mechanism that is bolted through the shovel.

Open out the two brackets and move the shovel up the shovel moving mechanism



### 3. Opening and Closing the Catch mechanism.

the connector cable that opens up the catch mechanism.

The catch cable wire catches in under the connector which attaches on to the handle press. the wire stays under tension.

The wire stays under tension.



### 2. Movement of Inside Core Sapling Planter.

Controlled by the handle of the chestnut planter.

The main core is double plated on the inside for a distance so when the inside core sapling planter moves back up that this part will take the pressure off the handle when the gas spring is fully extended.



### 4. Placing in and removing Tree Sapling from Chestnut Planter.

It is important to ensure that the saplings roots are placed on the underneath of the planter to ensure the successful plantation of the sapling.

Lift the chestnut planter up and away from the planted sapling



Drawings



Development Drawings



Test Models



Final Model



Exploded View